

# The Clipper Prelude 826



## Technical Specifications

◆ Extreme Height	112.5" / 285.7 cm
◆ Extreme Width	85.38" / 216.8 cm
◆ Extreme Length	126.11" / 320.3 cm
◆ Width on Floor	69.5" / 176.5 cm
◆ Length on Floor	88.75" / 225.1 cm

## Capacities\*

◆ Small Seed	150 Bu./Hr. (1.95 MT/Hr.)
◆ Medium Seed	250 Bu./Hr. (4.4MT/Hr.)
◆ Large Seed & Wheat	350 Bu./Hr. (9.4MT/Hr.)
◆ Market Cleaning	1200 Bu./Hr. (32.6 MT/Hr.)

## Electrical Requirements

◆ Main Fan Motor	10 H.P./7.5 Kw
◆ Eccentric Motor	2 H.P./1.5 Kw
◆ Vibratory Feeder Motor	1/2 H.P / .35Kw

## Options

- ◆ Electronic Variable Bottom Blast Fan
- ◆ Electronic Variable Speed Shoe Shake
- ◆ Grease Line Package

## Air Output

Up to 6,600 CFM

## Features

- ◆ Heavy duty construction – Easily Portable

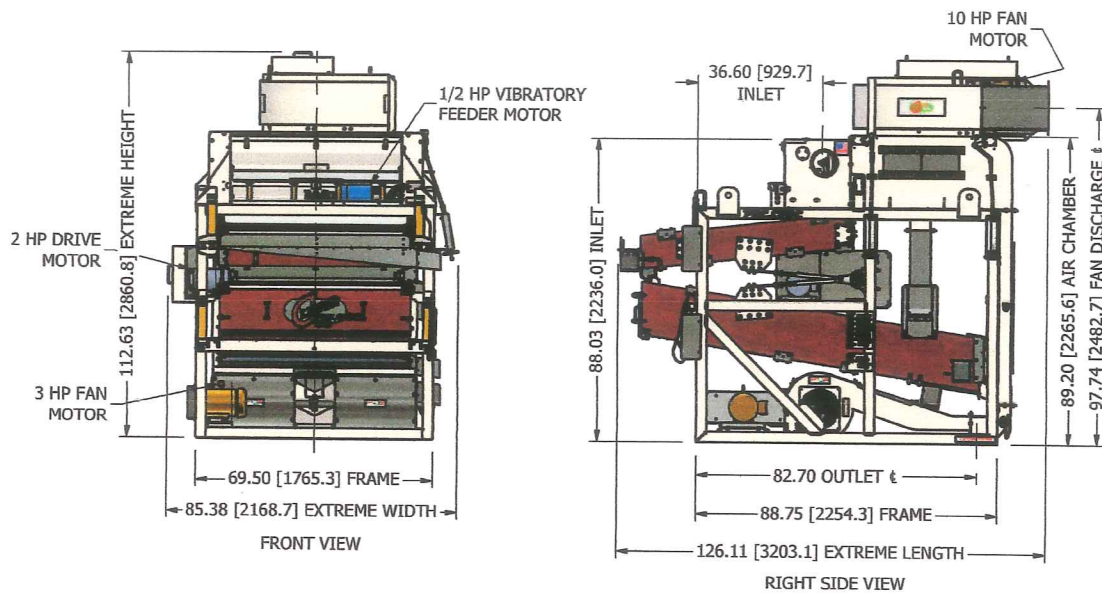
\*Note: Capacities may vary depending on seed condition, moisture content, seed varieties, types and volumes of contaminants to be separated and the percentage of foreign materials acceptable in the final product.



1440 SOUTH ADAMS STREET, BLUFFTON IN 46714 (260) 824-3400, (800) 248-8318, FAX 260-824-5463  
[info@atferrell.com](mailto:info@atferrell.com)

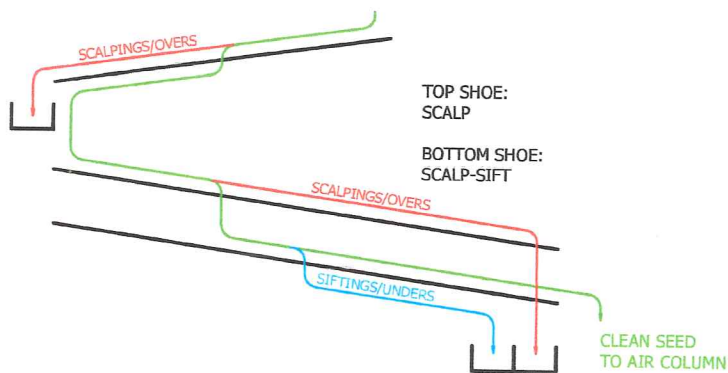
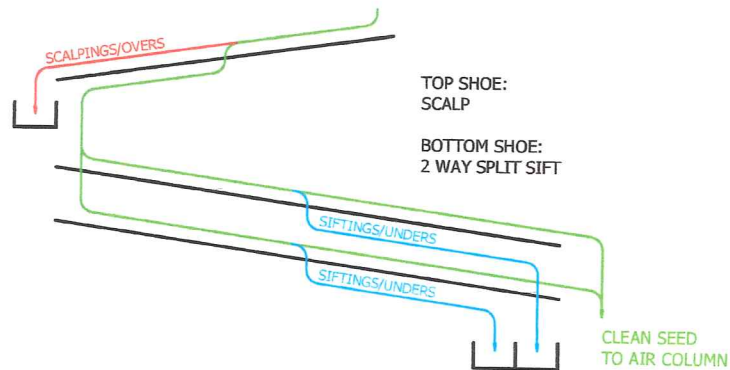
[atferrell.com/clipper](http://atferrell.com/clipper)

# PRELUDE 826 General Dimensions



PRELUDE 826 RH (RIGHT HAND) DISCHARGE ARRANGEMENT AND OPTIONAL BOTTOM BLAST FAN SHOWN

## PRELUDE 826 Screen Flow Arrangements



**NOTES:**

1. DO NOT SCALE FROM DRAWING.
2. ALTERNATIVE UNITS [X.X] IN MILLIMETERS.
3. INSTALLED WEIGHT AS SHOWN 4,750 LBS [2,155 kg].