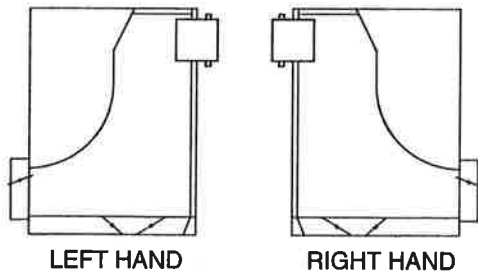


HAND CONFIGURATION



**MODEL 316M
(Left Hand)**

Parts List Hi-Cap Finishing Separator

Specifications For: Model 316 Hi-Cap; Model 316M "Master"

HOW TO ORDER PARTS

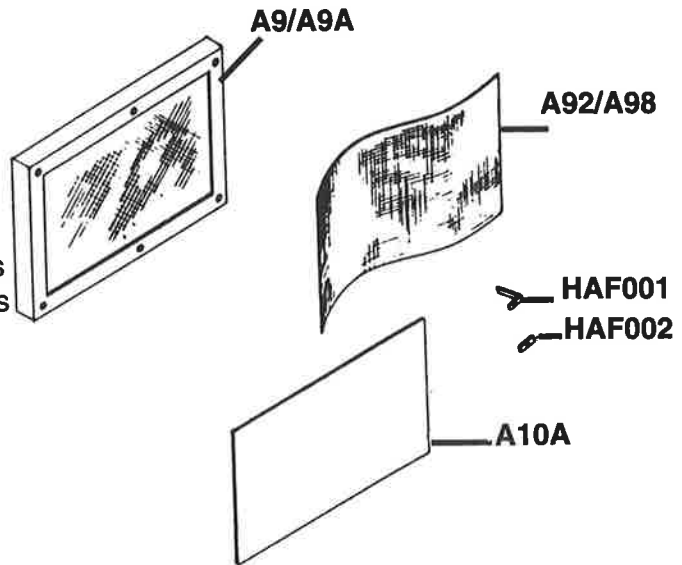
When ordering parts, please list the model number of the machine, the serial number and the part number (i.e. Model 316, Serial Number 9729, Part Number A9: Complete Air Filter). The serial number can be found on a small plate bearing the model number, attached to the air chest, immediately opposite the feeder. This will enable us to provide you with a part that will fit properly. Many parts are interchangeable between various model gravities and stoners, but others are suitable only for specific machines. If the above information cannot be furnished, please let us have the dimensions of the deck and the approximate year that the machine was purchased. We can fill orders without part numbers or other identification, but delivery time will be delayed. Usually part orders can be shipped within 24 hours after receipt at the factory. Complete decks and special items take longer. Please contact us, if you have any questions regarding parts.



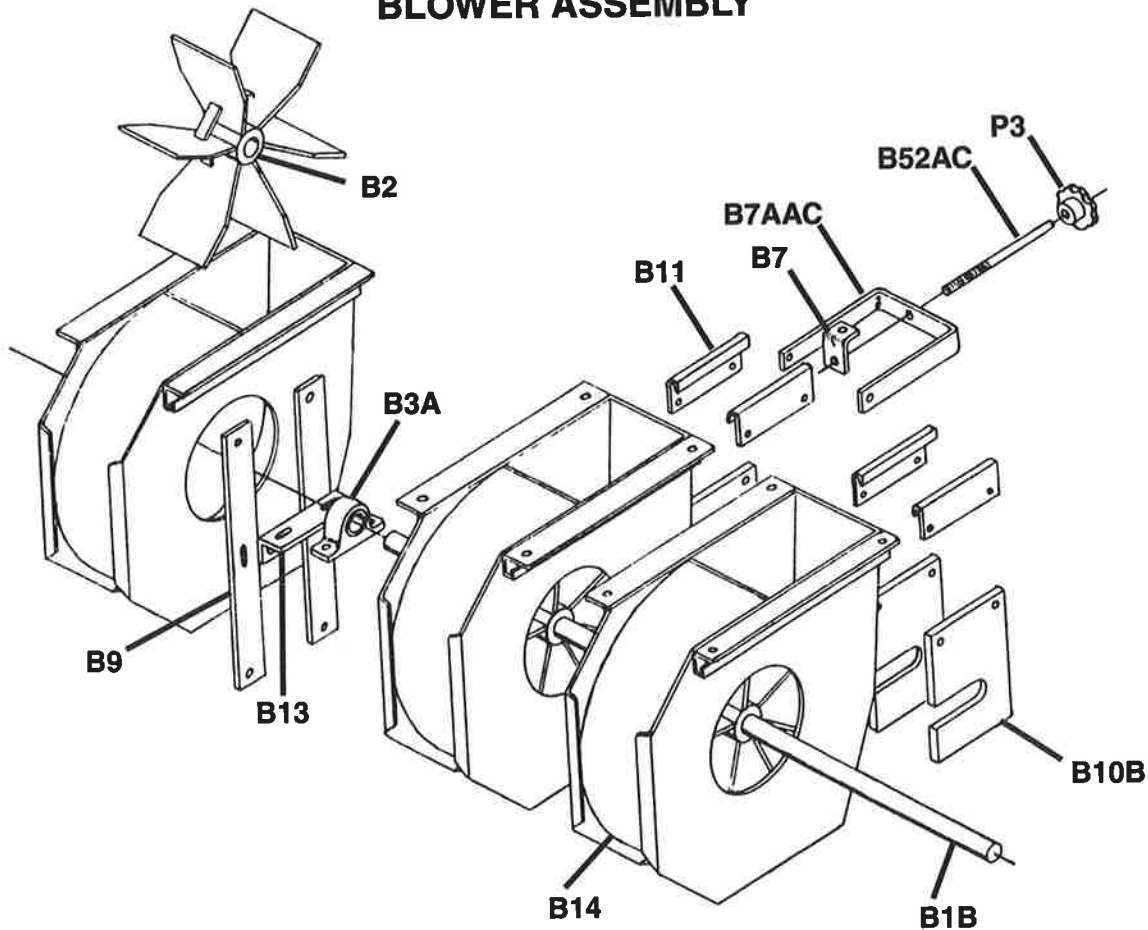
OLIVER MANUFACTURING COMPANY, INC.
BOX 512, ROCKY FORD, COLORADO 81067
(719) 254-7814
FAX (719) 254-6371

AIR FILTER ASSEMBLY

- A93 Backing Wire, 1/2 X 1/2 (Not Shown)
- A92/A98 Replacement Filter Screen Media
- A9/A9A Complete Air Filter
- A10A Filter Blank
- HAF001 90° Filter Clamp for Metal Frame Filters
- HAF002 Flat Filter Clamp for Metal Frame Filters



BLOWER ASSEMBLY

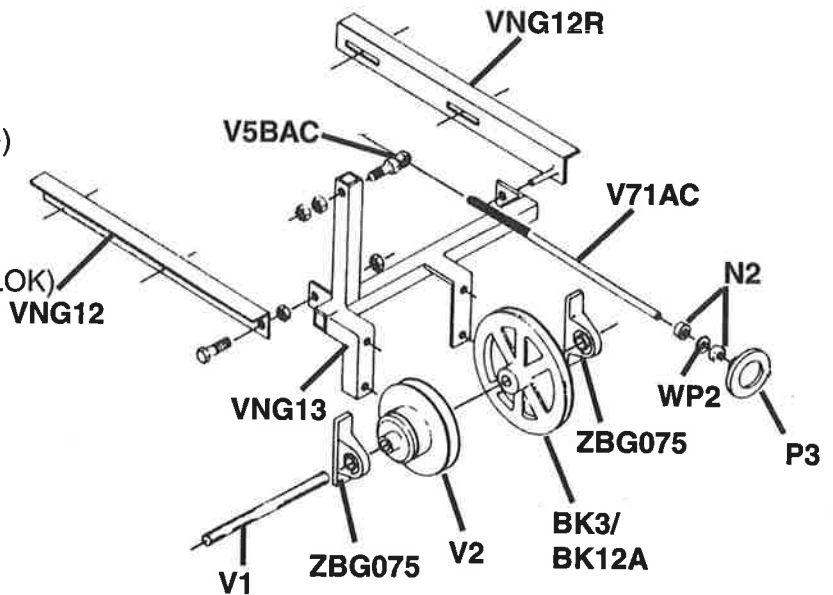


- | | | | |
|-------|-------------------------------|-------|-------------------------------|
| B1B | Blower Shaft | B7AAC | Air Gate Yoke |
| B2 | Blower Wheel | P3 | Knob for Air and Speed Change |
| B3A | Bearing (LOK) | B10B | Air Gate Set |
| B52AC | Short Air Gate Adjustment Rod | B11 | Air Gate Slides |
| B7 | Short Air Gate (Rod Stop) | B14 | Drum |
| B9 | Bearing Support Strap | B13 | Bearing Support Angle |

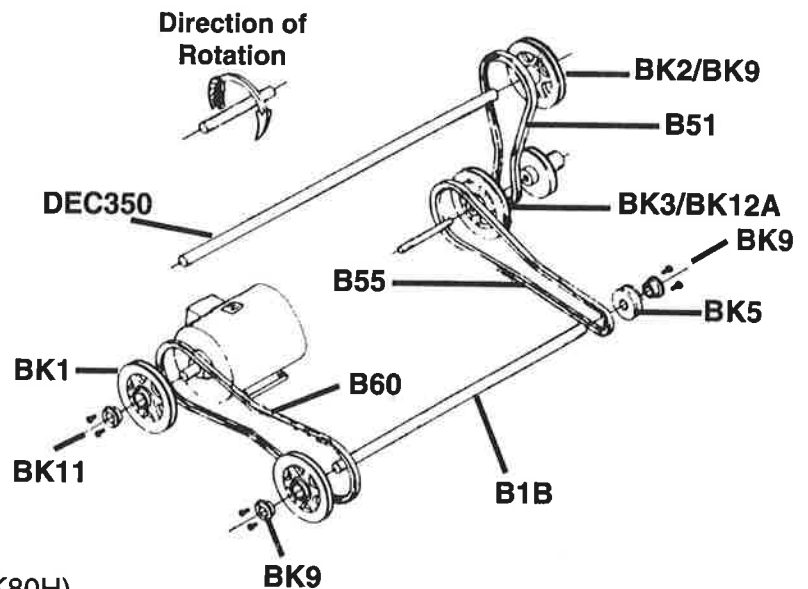


VARISPEED

- BK12A 3/4" H Bushing (Not Shown)
- BK3 BK70H Sheave
- V1 Variable Speed Shaft
- V2 Varispeed Sheave
- ZBG075 3/4" Pillow Block Bearing (LOK)
- VNG12 Left Mounting Angle
- VNG12R Right Mounting Angle
- VNG13 Varispeed Platform
- V5BAC Eyebolt
- V71AC Speed Control Rod
- N2 1/2" Collar
- P3 Speed Control Knob
- WP2 Plastic Washer



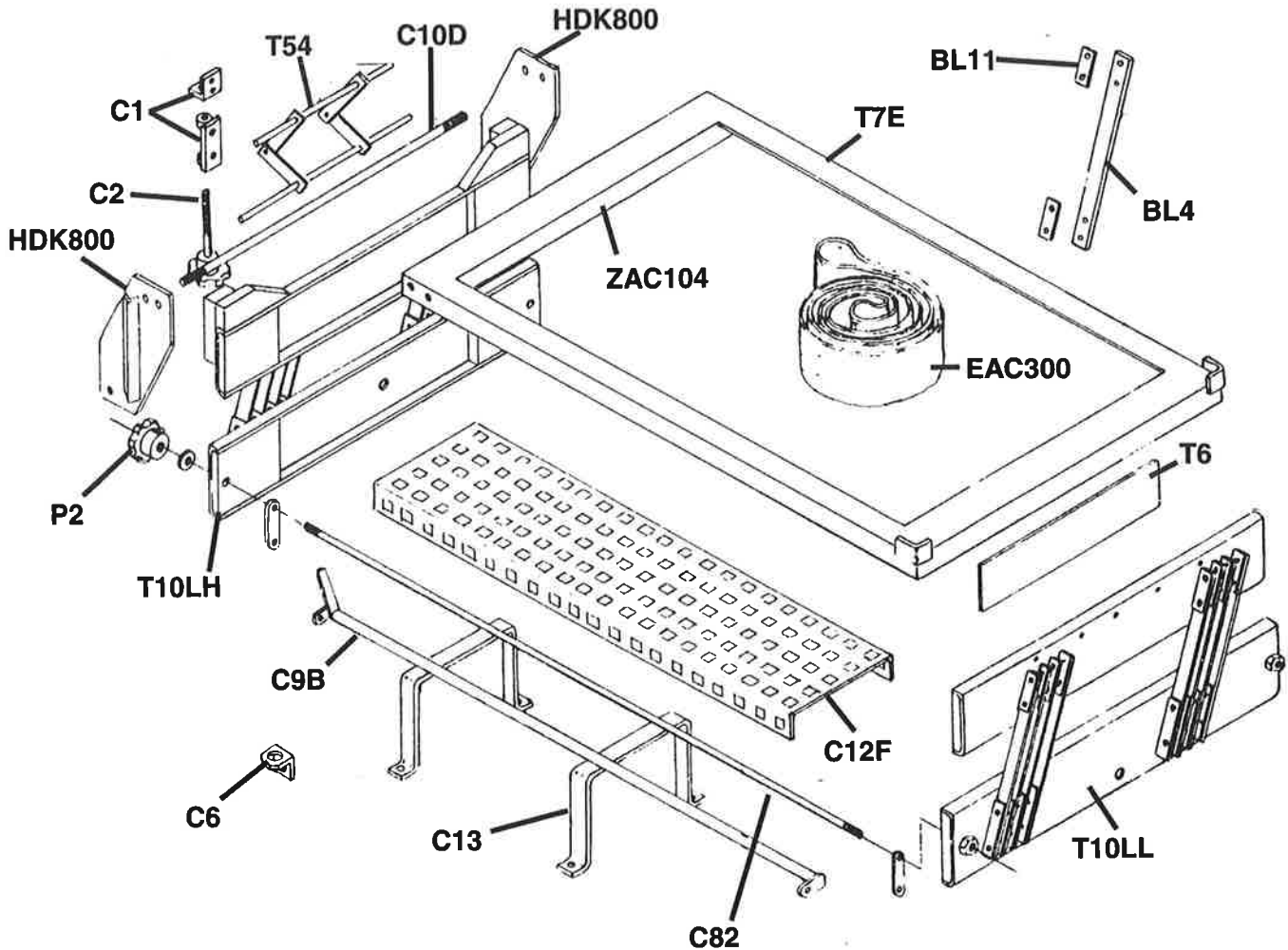
DRIVE ASSEMBLY



- B1B Blower Shaft
- BK1 Sheave for Type A Machine (2BK80H)
- BK1A Motor Sheave for Type B Machine (Not Shown)
- BK4 Blower Shaft Sheave, Varispeed End, Type B Machine (Not Shown)
- BK5 Blower Shaft Sheave, Varispeed End, Type A Machine
- BK11 1 1/8" H Bushing
- BK2 BK80H Sheave
- B55 Belt to Drive Varispeed Assembly
- B51 Belt to Drive Eccentric Shaft
- B60 Belt for Motor Drive (2 required)
- BK9 1 3/16" H Bushing
- BK12A 3/4" H Bushing
- DEC350 Eccentric Shaft
- BK3 BK70H Sheave



CLAMPING, TILTING AND TOGGLE ASSEMBLY

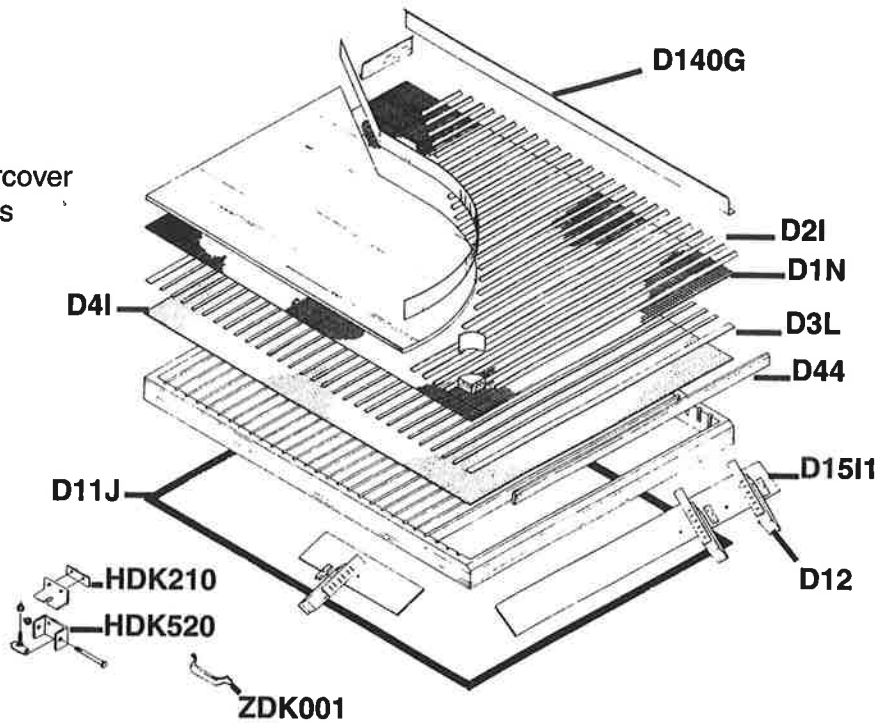


- | | | | |
|--------|--|--------|--|
| C1 | Jack Screw Bracket | C14 | Air Deflector (Not Shown) |
| C2 | Jack Screw | T10LH | Complete Spring Board Assembly, Feed end for 50 Left Hand |
| C10D | Width Clamp Rod, Secures End Raise Adjustment | T10LH1 | Spring Board Assembly, Feed end for 50 Right Hand |
| P2 | Clamping Knob | T10LL | Complete Spring Board Assembly, Discharge end for 50 Left Hand |
| C6 | Lifting Bracket | T10LL1 | Spring Board Assembly, Discharge end for 50 Right Hand (Not Shown) |
| HDK800 | Clamping Plate | BL4 | Toggle Leaf Spring |
| C82 | Length Clamp Rod, Secures Side Tilt Adjustment | BL11 | Leaf Spring Keep |
| C9B | Tilt Control Rod for 50 Left Hand | T54 | Stabilizer Hinge |
| C9BR | Tilt Control Rod for 50 Right Hand (Not Shown) | T6 | Machine Plate |
| C12F | Air Baffle | T7E | Deck Carriage |
| C13 | Air Baffle Support Leg | ZAC104 | Velcro, Hook |
| EAC300 | NRV A/C Boot | | |

DECK ASSEMBLIES

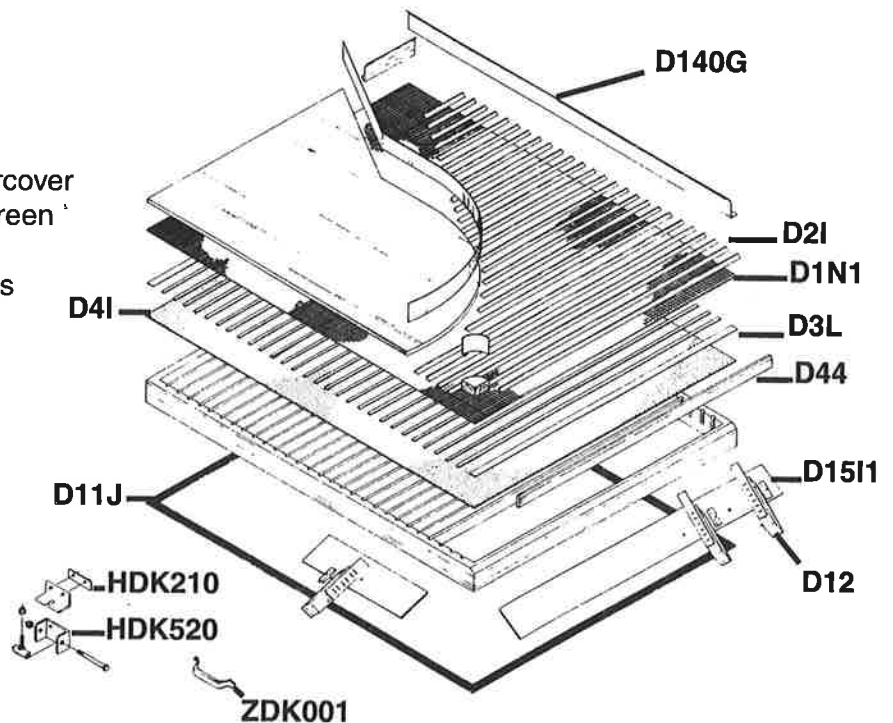
10 Mesh Screen for 1/4" - 3/8" Particle Size

- D1N 10 Mesh Screen Overcover
- D2I Set of Riffles and Nails
- D3L Set of Parting Strips
- D4I Undercover Set
- D11J Deck Felt Set
- D12 Cutting Finger
- D44 Deck Rib
- D140G Deck Rail Set
- D15I1 Poly Apron Set
- ZDK001 Deck Handle
- HDK520 Clamp Assembly
- HDK210 Deck Clip



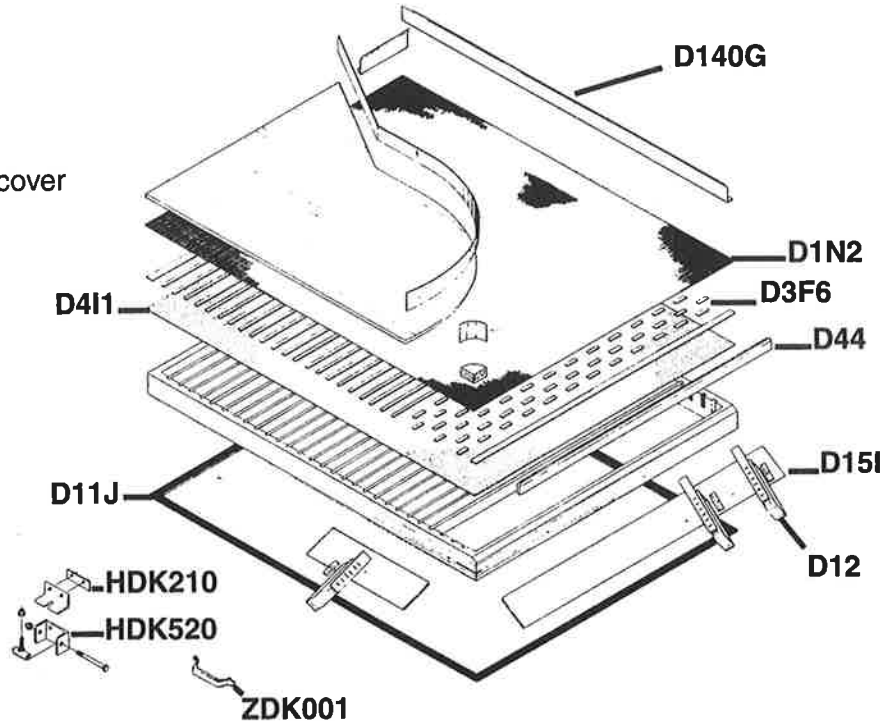
16 Mesh Screen 1/8" - 1/4" Particle Size

- D1N1 16 Mesh Screen Overcover
- D5F Two Mesh Friction Screen (Not Shown)
- D2I Set of Riffles and Nails
- D3L Set of Parting Strips
- D4I Undercover Set
- D11J Deck Felt Set
- D12 Cutting Finger
- D44 Deck Rib
- D140G Deck Rail Set
- D15I1 Poly Apron Set
- ZDK001 Deck Handle
- HDK520 Clamp Assembly
- HDK210 Deck Clip



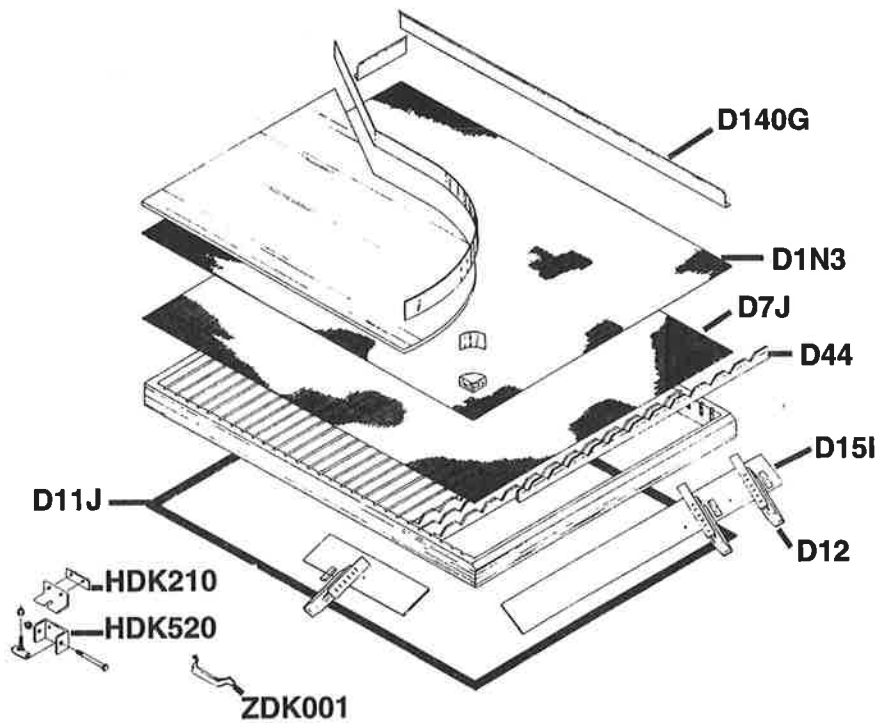
30 Mesh B Deck for 1/16" - 1/8" Particle Size

- D1N2 30 Mesh Screen Overcover
- D3F6 Set of Parting Strips
- D4I1 Undercover Set
- D11J Deck Felt Set
- D12 Cutting Finger
- D44 Deck Rib
- D140G Deck Rail Set
- D15I Wood Apron Set
- ZDK001 Deck Handle
- HDK520 Clamp Assembly
- HDK210 Deck Clip

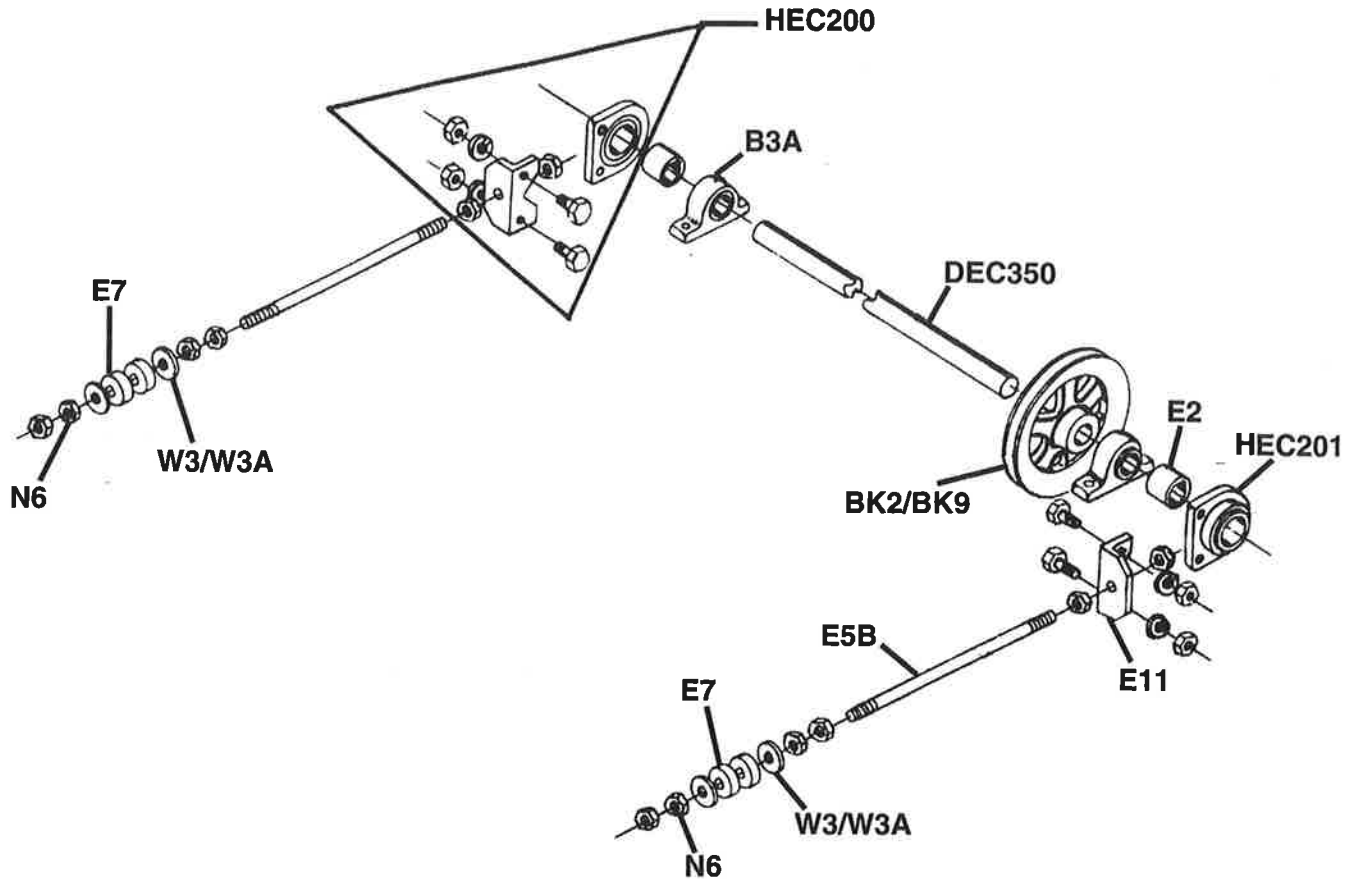


Linen Deck for 1/16" and Below Particle Size

- D1N3 Linen Overcover
- D7J Cloth Support Wire
- D11J Deck Felt Set
- D12 Cutting Finger
- D44 Deck Rib
- D140G Deck Rail Set
- D15I Wood Apron Set
- ZDK001 Deck Handle
- HDK520 Clamp Assembly
- HDK210 Deck Clip

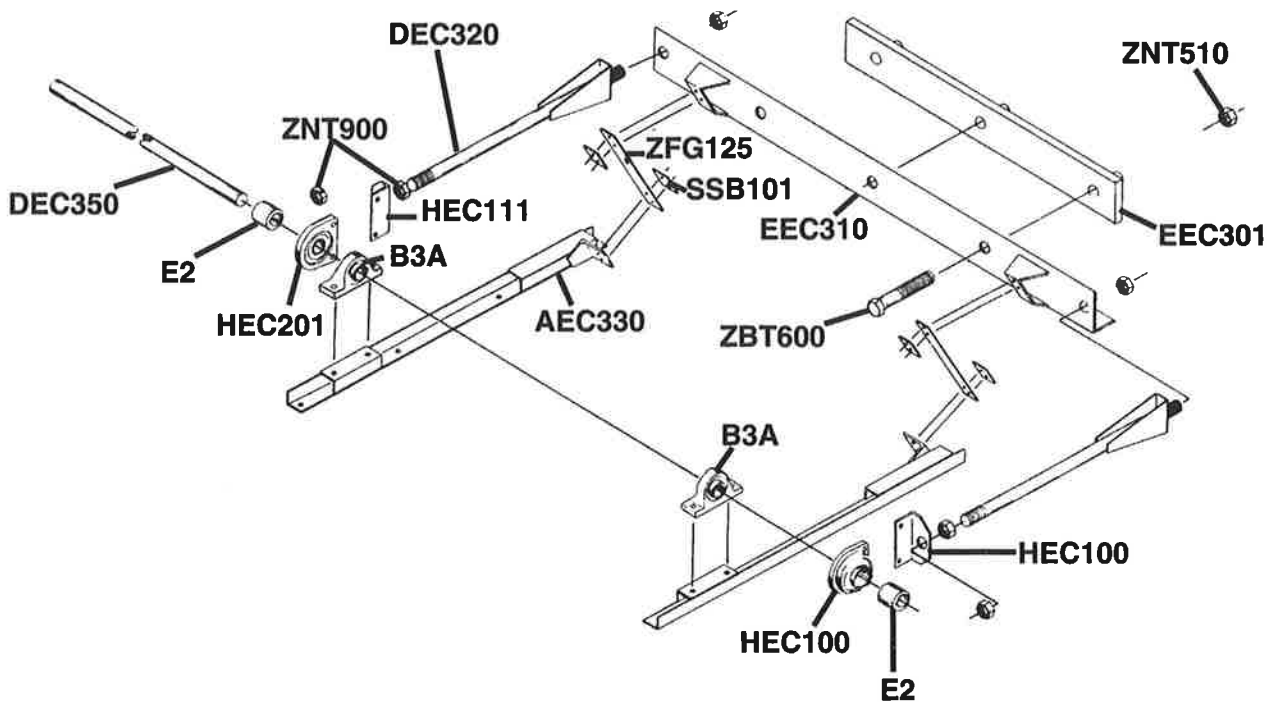


ECCENTRIC ASSEMBLY



- | | |
|--------|--|
| BK2 | BK80H Sheave |
| BK9 | 1 3/16" H Bushing |
| HEC200 | Eccentric Bearing with Bracket and Bolts |
| HEC201 | Eccentric Bearing |
| E11 | Eccentric Bearing Bracket |
| E2 | Eccentric Heart |
| B3A | Eccentric Shaft Bearing |
| DEC350 | Eccentric Shaft |
| E5B | Eccentric Connecting Rod-transmits eccentric motion to Deck Carriage |
| W3 | Metal Washer |
| E7 | Rubber Washer |
| N6 | Jam Nut |
| W3A | Star Washers |

COUNTER BALANCE



EEC001	Model 316 Counter Balance Assembly	E2	Eccentric Heart
EEC010	Model 316 Counter Balance Assembly -Retrofit	ZBT600	1 X 6 1/2 Hex Cap Screw
EEC301	C/W Mount Plate, 19 1/2"	ZWA950	1" Flat Washer
DEC350	C/W Eccentric Shaft	ZNT900	1" Heavy Jam Nut
ZFG125	Scotchply Toggle - 2 X 10 1/2	B3A	1 3/16 Pillow Block Bearing (LOK)
SSB101	Scotchply Back Plate - 2 X 2 1/2	AEC330	C/W Bearing Support Angle
HEC100	C/W Bearing w/Bracket and Bolts	DEC320	C/W Drive Rod Complete
HEC201	1 3/4" Eccentric Push Rod Bearing (LOK)	HEC111	C/W Mount Angle Bracket
EEC310	C/W Angle Only	ZNT510	1" Nyloc Nuts